

6.0t UNIC **URW-706** CRANE



LOAD CHART

FIRST STAGE EXTENDED

		4.8M BOOM LENGTH					
Working radius		m	up to 2.7	3.0	3.5	4.0	4.3
Outrigger	Max-extended	kg	6,000	6,000	5,450	4,850	3,950
	Mid-extended	kg	6,000	6,000	5,450	4,850	3,950
	Min-extended	kg	6,000	6,000	3,450	4,550	3,750

SECOND STAGE EXTENDED

		4.8M – 7.7M BOOM LENGTH								
Working radius		m	up to 2.0	3.0	3.5	4.0	5.0	6.0	7.0	7.2
Outrigger	Max-extended	kg	6,000	6,000	5,350	4,750	3,750	2,950	2,250	2,000
	Max-extended	kg	6,000	6,000	5,350	4,750	3,750	2,450	1,700	1,550
	Min-extended	kg	6,000	6,000	5,350	4,650	2,550	1,650	1,150	1,050

THIRD STAGE EXTENDED

		7.7M – 10.6M BOOM LENGTH									
Working radius		m	up to 2.7	4.0	5.0	6.0	7.0	8.0	9.0	10.0	10.1
Outrigger	Max-extended	kg	4,550	4,550	3,650	2,950	2,400	1,800	1,350	950	950
	Max-extended	kg	4,550	4,550	3,650	2,550	1,750	1,300	950	700	700
	Min-extended	kg	4,550	4,550	2,650	1,700	1,200	850	650	450	400

FOURTH STAGE EXTENDED

		10.6M - 13.5M BOOM LENGTH									
Working radius		m	up to 5.0	6.0	7.0	8.0	9.0	10.0	11.0	12.0	12.9
Outrigger	Max-extended	kg	2,950	2,550	2,150	1,850	1,500	1,200	950	800	450
	Max-extended	kg	2,950	2,550	1,850	1,400	1,100	850	650	550	400
	Min-extended	kg	2,750	1,850	1,300	1,000	750	550	430	330	240

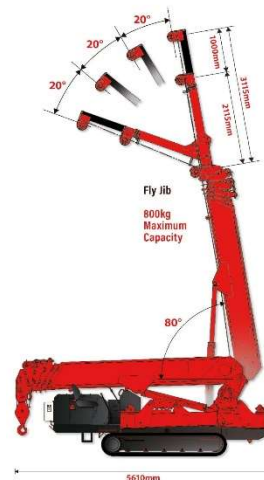
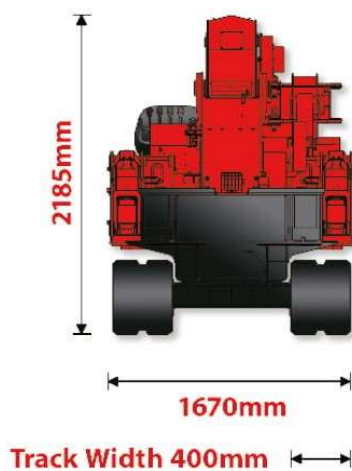
FIFTH STAGE EXTENDED

		13.5M – 16.3M BOOM LENGTH										
Working radius		m	up to 5.0	8.0	9.0	10.0	11.0	12.0	13.0	14.0	15.0	15.8
Outrigger	Max-extended	kg	2,350	1,700	1,400	1,200	1,000	850	700	600	500	400
	Max-extended	kg	2,350	1,500	1,150	950	750	600	500	400	300	250
	Min-extended	kg	1,950	1,050	800	650	500	400	300	230	170	130

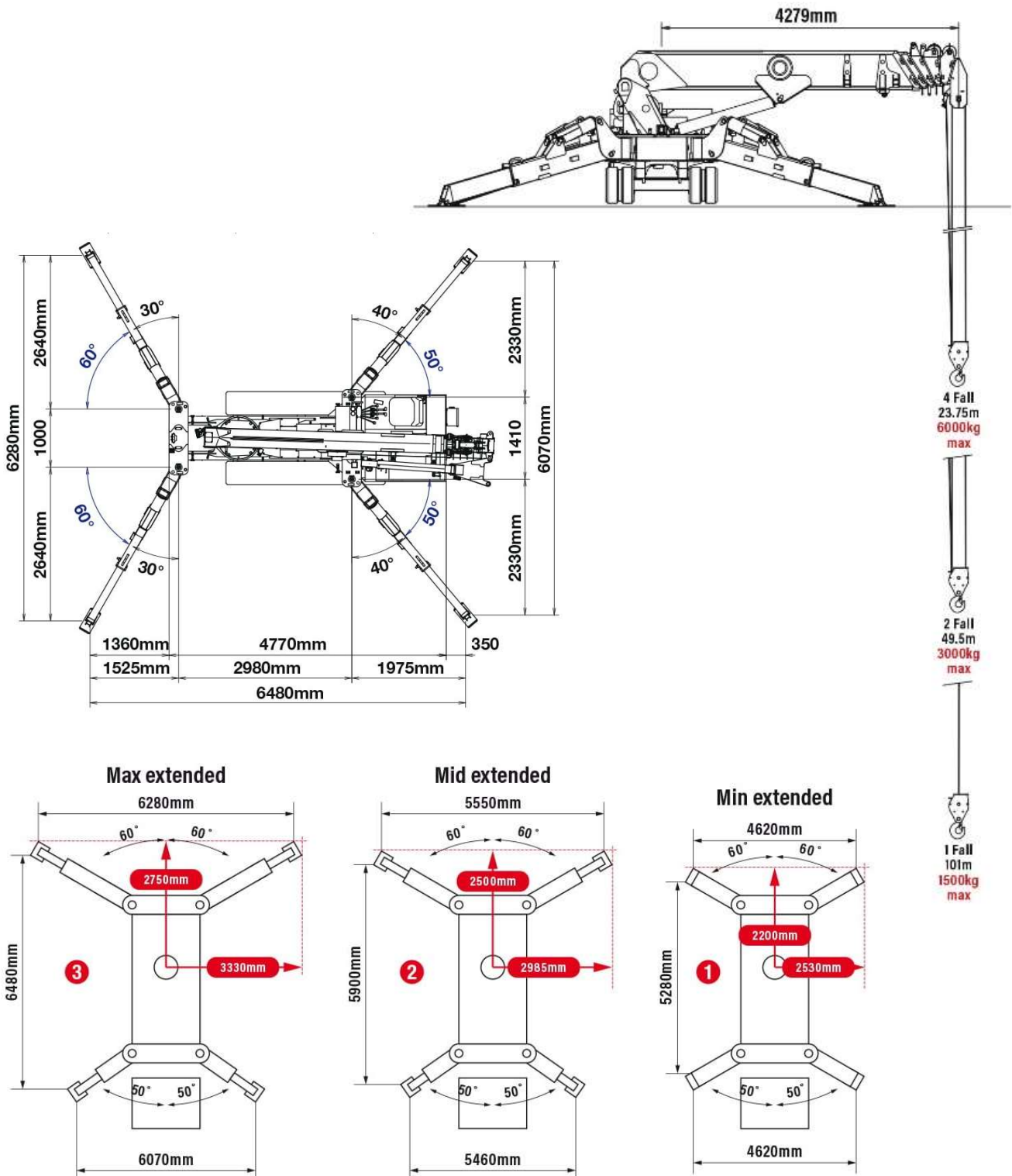
SIXTH STAGE EXTENDED

		16.3M - 19.2M BOOM LENGTH								
Working radius		m	up to 8.0	10.0	12.0	14.0	16.0	18.0	18.6	
Outrigger	Max-extended	kg	1,350	1,000	800	600	400	250	200	
	Max-extended	kg	1,350	1,000	650	450	300	200	150	
	Min-extended	kg	1,100	700	450	280	170	90	60	

DIMENSIONS



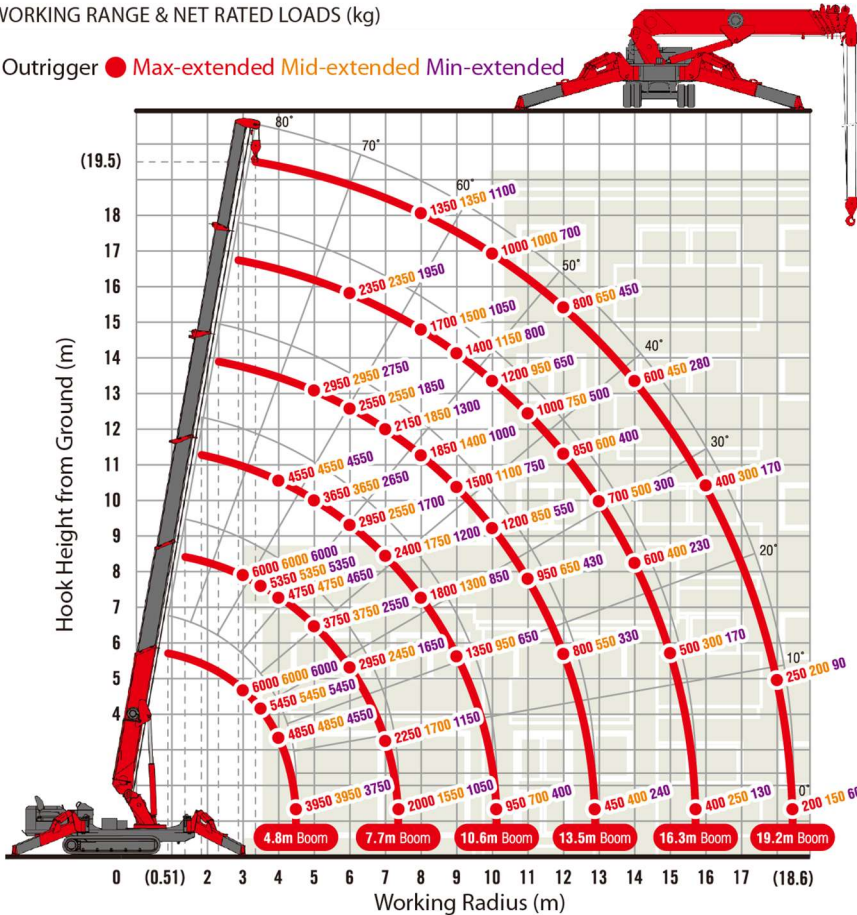
RATED LOADS & OUTRIGGER POSITIONS




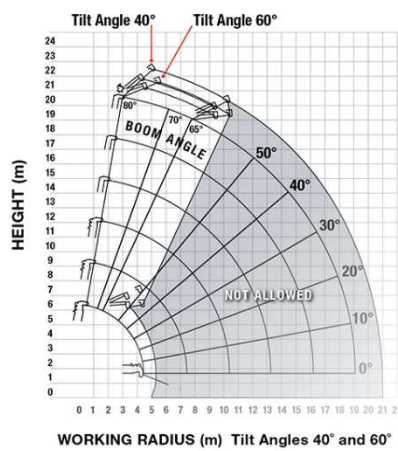
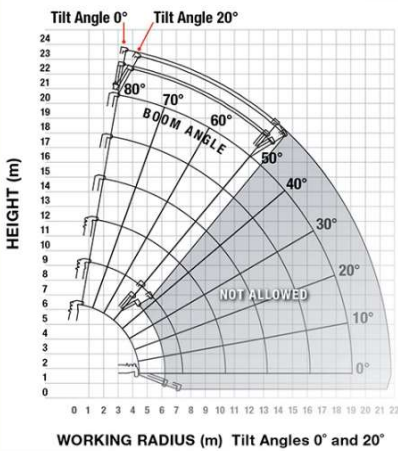
WORKING RANGE

WORKING RANGE & NET RATED LOADS (kg)

Outrigger ● Max-extended Mid-extended Min-extended



SEARCHER HOOK - RADIUS RATED			
RADIUS RATED	SEARCHER HOOK NET RATED LOADS (kg)		
			
WORKING RADIUS (m)	OUTRIGGERS MAX-EXTENDED	OUTRIGGERS MID-EXTENDED	OUTRIGGERS MIN-EXTENDED
7.0	800	800	800
8.0	800	800	610
9.0	800	700	420
10.0	800	550	250
10.5	800	490	200
11.0	650	430	160
11.5	550	370	120
12.0	470	310	100
13.0	330	230	NOT ALLOWED
14.0	260	150	
15.0	210	100	
Lifting capacity		800kg	
Length		2.2m	



Note: The above figures are based on a no-load condition and do not include the deflection of the boom

Fly Jib - Angle Rated (maximum outriggers only)

ANGLE RATED	NET RATED LOADS (kg) AT EXTENSION JIB ANGLE			
				
BOOM ANGLE	0°	20°	40°	60°
80°	800	800	600	600
75°	800	800	600	600
70°	700	700	500	500
65°	600	600	400	400
60°	500	500	NOT ALLOWED	NOT ALLOWED
55°	400	400		
50°	300	300		
Lifting capacity		800kg		
Jib length		retracted: 2.11m		
		extended: 3.11m		
Weight		205kg		
Tilt angles		0°, 20°, 40°, 60°		

SPECIFICATIONS

Crane capacity	capacity:	6.0t x 3.0m
Max working radius	max:	18.6m
Max lifting height	approx:	19.5m (22.7m with second stage manual fly jib)
Rope length	max:	23.75m (4 fall), 49.5m (2 fall), 101m (1 fall)
Dimensions	folded:	5610mm (l) x 1670mm (w) x 2185mm (h)
Weight	unladen:	8,080kg + 230kg manual fly jib
Point loadings	Due to the many variables involved, point loadings are only available on request	
Hook speed	approx:	11m/min (with 5 layers and 4 falls)
Telescopic system	boom length:	4.80 - 19.20m
	telescoping speed:	14.4m/52 seconds
	boom type:	6 section hydraulically telescoping boom, hexagonal box construction
Derricking angle/speed	approx:	0 - 80° / 16.0 seconds
Slewing angle/speed	approx:	360° (continuous) 2.5min rpm
Traction system	drive:	hydrostatic 2-speed, stepless forward and reverse
	travel speed:	0 - 2.9km/h
	gradeability:	± 20° (vertical) 20° (traverse)
	track ground length:	2240mm
	track ground pressure:	43.6kPa (0.44kg/cm ²)
	track width:	400mm
Engine	manufacturer:	Mitsubishi
	fuel:	diesel (electric dual power option)
	maximum output:	23.5kW (32.0PS) / 2500min rpm
	starting method:	electric
	tank capacity:	74 litres
Electric motor	power:	7.5kW
	voltage:	400v AC 50/60hz
Standard equipment	computer controlled moment limiter (safe load indicator), radio remote control, overwinding alarm, computer controlled intelligent voice warning system, multi-function operation by radio remote control, intelligent throttle activation, automatic hook stow, overload warning alarms, overload warning lamps, working area limitation, 4 fall/2fall/single fall, dual diesel electric, 800kg manual searcher/fly jib	